

CGS Features Torre Gas Supraflow[®] Tapping Tee Products



Supraflow[®] tapping tees are a unique solution for high flow (up to 150 psi) branching for servicing, grid extension, or by-pass installation. A specially designed drill cutter is housed inside Supraflow and retains the coupon.

The whole installation procedure is done under a “zero leaks” environment and performed using Supraflow drilling equipment. No other solution offers the possibility to live branching in large diameters in an easy and “intrinsically safe” procedure.

Supraflow meets the requirements of ASTM D2513.

ADVANTAGES

- Reduced excavation
 - Operation out of a single hole
 - No additional space needed for squeeze tools
 - No by-pass needed on one-way feeds
- Installation
 - Fast connection with existing approved fittings
 - Possible in very tight spaces
- Easy handling and positioning
 - One operator and no heavy equipment needed
 - Can be installed in any position/rotates on two axes
- Significantly reduced branch extension and hot tapping costs
- No impact on the pipe (no squeezing)



TECHNICAL DATA

Application	Gas
Highest operating pressure	150 psi
Pipe material	PE
Pipe outer diameter	4” to 18”
Outlet pipe material	PE
Outlet outer diameter	4”, 6”, 8”

SAFER WORKING CONDITIONS

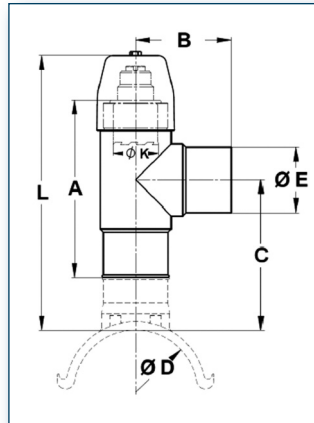
- Intrinsically safe technology
- 100% safety is assured since no gas flows until the new branch has been leak-proof tested
- Safety features include mechanical safeguards during drilling and throughout installation procedures
- No gas blowing

CGS Offers a Full Line of Supraflow Tapping Tee Products

SIZES, REFERENCES & APPLICATION RANGE

REFERENCE	ØD	ØE	A	B	C	L	ØK	UTS./BOX
TSP4IPS2	4" IPS	4" IPS	12.32"	6.6"	10"- 10.4"	18.6"- 19.0"	2.44"	2
TSP4IPS3	6"- 12" IPS	4" IPS	12.32"	6.6"	10"- 10.4"	18.6"- 19.0"	3.11"	2
TSP6IPS1	6"- 18" IPS	6" IPS	12.48"	8.2"	9.2"- 9.6"	18.7"- 19.1"	4.53"	1
TSP8IPS1	8"- 18" IPS	8" IPS	21.50"	12"	19.2"- 19.6"	31.6"- 32.0"	6.30"	1

NOTE: Saddle not included.



TECHNICAL INFORMATION

COMPONENTS	MATERIALS
Tee	PE3408/PE4710
Body	SAE4140 + Bichromated
Body Cap	SAE1024 + Bichromated
Pin	SAE12L13 + Bichromated
Sleeve	SAE1024 + Bichromated
Cutter	SAE4140
O-Rings	NBR, Rubber (ISO 6447/6448)



P.O. Box 22310, Knoxville, TN 37933
 Phone: 865.988.9080 800.251.9482
 Fax: 865.986.9062 Web: cgs-inc.com